

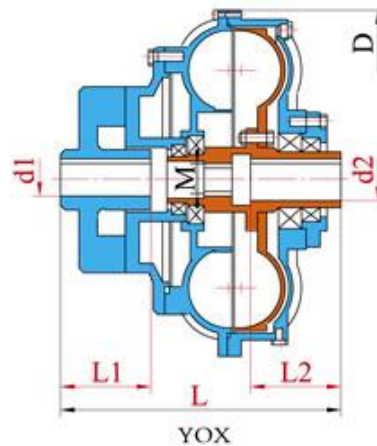
Hydraulic Fluid Coupling



Torque-Limiting Type Fluid Coupling Specification Sheet

Specifications	speed(r/m)	Transfer power (KW)				
		600	750	1000	1500	3000
YOX-190					0.6~1.1	4.5~9.0
YOX-200					0.75~1.5	5.5~11
YOX-220				0.4~0.8	1.1~2.2	10~18.5
YOX-250				0.7~1.5	2.5~5.0	15~30
YOX-280				1.5~3.0	4.0~7.5	37~60
YOX-320			1.1~2.2	2.7~5.0	7.5~15	45~75
YOX-340			1.6~3.0	3.0~7.0	11~22	45~80
YOX-360			2.0~3.8	4.5~9.0	15~30	50~100
YOX-400			3.0~6.0	7.5~15	22~45	80~145
YOX-420			3.5~7.0	11~18.5	37~60	
YOX-450			6.1~11	14~28	40~90	
YOX-500			10~19	26~50	75~132	
YOX-560			19~30	45~90	132~250	
YOX-600		12~24	25~50	60~120	200~375	
YOX-650		23~45	40~80	90~185	280~500	
YOX-710		30~60	60~115	150~280		
YOX-750		40~80	80~160	200~360		
YOX-800		45~90	110~220	280~500		
YOX-1000		140~280	270~550			

YOX Type



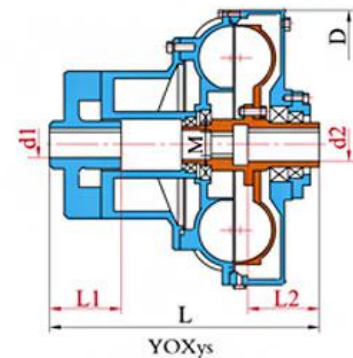
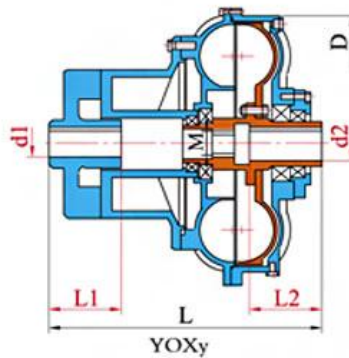
YOX-type

YOX-type fluid coupling is a connection type in which the shaft of electric engine and reducer are directly inserted into coupling hole and flange hole with elastic plum pad or nylon pin at one end. This connection type is now the most commonly used one because of its simple structure, firm connection and small axial dimension.

Select table of YOX specification and size

Specification	D	L (min)	d1 (max)	L1 (max)	d2 (max)	L2 (max)	M (Demolition Thread)	Plum Cushion	Oil Volume (L)	Weight (kg)
YOX-190	235	180	30	60	25	60	16	MT4	0.4~0.8	8
YOX-200	240	180	30	60	30	70	16	MT4	0.5~1.0	9.5
YOX-220	260	200	35	60	30	60	16	MT4	0.8~1.6	14
YOX-250	292	240	36	45	40	80	16	MT5	1.3~2.5	15
YOX-280	328	240	40	80	45	100	20	MT7	1.5~30	18
YOX-320	380	276	48	110	50	110	30×1.5	MT7	2.4~4.8	30
YOX-340	392	282	48	110	50	110	30×1.5	MT8	2.7~5.5	33
YOX-360	422	287	55	110	55	110	30×1.5	MT8	3.8~7.6	40
YOX-400	465	352	60	140	60	130	36×2	MT10	4.8~9.5	58
YOX-420	480	345	65	140	65	140	36×2	MT10	4.9~9.8	56
YOX-450	522	384	75	140	75	140	42×2	MT10	6.1~12	82
YOX-500	572	426	80	170	90	170	42×2	MT11	10~20	113
YOX-560	642	487	100	210	100	210	42×2	MT11	16~26	140
YOX-600	695	540	100	210	100	180	48×2	MT12	18~36	180
YOX-650	750	556	130	210	120	210	48×2	MT12	25~46	220
YOX-710	815	580	130	210	110	210	48×2	MT12	37~60	310
YOX-750	850	603	140	250	140	250	56×2	MT12	40~80	350
YOX-800	908	705	140	250	130	250	56×2	MT12	50~95	420
YOX-1000	1120	735	150	250	150	250	60×3		78~156	650

YOXy / YOXys Type



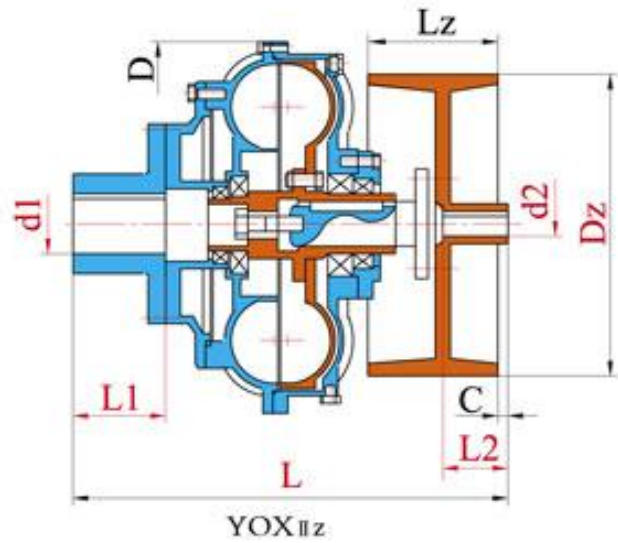
YOXy / YOXys-type

YOXy-type fluid couple, basing on YOX-type, lengthens the back auxiliary chamber to achieve longer starting time and smaller impact on equipment compared with YOX-type. YOXys-type fluid couple, basing on YOX-type, lengthens the back and side auxiliary chamber to achieve longer starting time and smaller impact on equipment compared with YOXy-type.

Select table of YOXy/YOXys specification and size

Specification		D	L (min)	d1 (max)	L1 (max)	d2 (max)	L2 (max)	M(Demolition Thread)	Plum Cushion	Oil Volume (L)		Weight (kg)
YOXy-220	YOXys-220	260	260	35	60	30	60	16	MT4	0.8~1.6	1.1~2.2	16
YOXy-250	YOXys-250	292	270	36	45	40	80	16	MT5	1.3~2.6	1.6~3.2	18
YOXy-280	YOXys-280	328	280	40	80	45	100	20	MT7	1.5~3.0	2.0~4.0	22
YOXy-320	YOXys-320	380	316	48	110	50	110	30×1.5	MT7	2.4~4.8	3.0~6.0	34
YOXy-340	YOXys-340	392	322	48	110	50	110	30×1.5	MT8	2.7~5.5	3.5~7.0	38
YOXy-360	YOXys-360	422	360	55	110	55	110	30×1.5	MT8	3.8~7.6	4.9~9.8	46
YOXy-400	YOXys-400	465	390	60	140	60	130	36×2	MT10	4.8~9.6	6.2~12	66
YOXy-420	YOXys-420	480	405	65	140	65	140	36×2	MT10	4.9~9.8	6.5~13	68
YOXy-450	YOXys-450	522	445	75	140	75	140	42×2	MT10	6.1~12	8.0~16	92
YOXy-500	YOXys-500	572	510	80	170	90	170	42×2	MT11	10~20	13~26	128
YOXy-560	YOXys-560	642	530	100	210	100	210	42×2	MT11	16~26	21~34	160
YOXy-600	YOXys-600	695	575	100	210	100	180	48×2	MT12	18~36	24~47	202
YOXy-650	YOXys-650	750	650	130	210	120	210	48×2	MT12	25~46	33~60	250
YOXy-710	YOXys-710	815	680	130	210	110	210	48×2	MT12	37~60	48~78	345
YOXy-750	YOXys-750	850	680	140	250	140	250	56×2	MT12	40~80	52~104	395
YOXy-800	YOXys-800	908	820	140	250	130	250	56×2	MT12	50~95	65~125	480
YOXy-1000	YOXys-1000	1120	845	150	250	150	250	60×3		78~156	100~200	730

YOX IIz Type



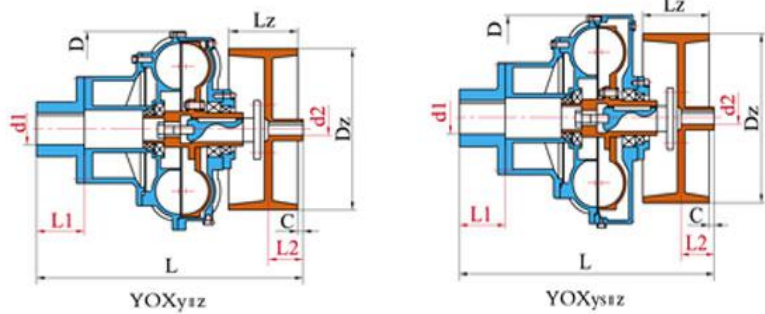
YOX IIz-type

YOXIIz-type fluid coupling is a connection type with brake wheel fixed at the output end of coupling connected with the shaft of reducer in which outer drive is used, coupling and the shaft of electric engine is rigidly connected, elastic plum pad or nylon pin is fixed at output end. However, customers may connect in their own way.

Select table of YOX IIz specification and size

Specification	D	Dz/Lz	C	d1 (max)	L1 (max)	d2 (max)	L2 (max)	L (min)	Oil Volume (L)	Weight (kg)
YOX IIz-360	422	300/150	10	55	110	55	110	514	3.8~7.6	85
YOX IIz-400	465	315/150	10	60	140	65	140	556	4.8~9.5	110
YOX IIz-450	522	315/150	10	75	140	70	140	580	6.1~12	139
YOX IIz-500	572	400/190	10	80	170	90	170	664	10~20	192
YOX IIz-560	642	400/190	10	100	170	110	170	736	16~26	225
YOX IIz-600	695	500/210	15	100	170	130	180	790	18~36	320
YOX IIz-650	750	500/210	15	120	210	130	250	829	25~46	375
YOX IIz-750	850	630/265	20	140	250	150	250	940	40~80	510
YOX IIz-800	908	630/265	20	140	250	150	250	1040	50~95	620
YOX IIz-1000	1120	700/300	25	150	250	150	250	1140	78~156	860

YOXyIIz / YOXysIIz Type



YOXyIIz / YOXysIIz-type

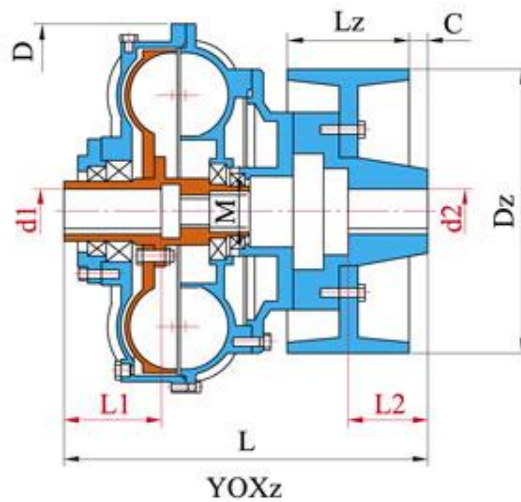
YOXyIIz-type fluid couple, basing on YOXIIz-type, lengthens the back auxiliary chamber to achieve longer starting time and smaller impact on equipment compared with YOXIIz-type.

YOXysIIz-type fluid couple, basing on YOXIIz-type, lengthens the back and side auxiliary chamber to achieve longer starting time and smaller impact on equipment compared with YOXyIIz-type.

Select table of YOXyIIz / YOXysIIz specification and size

Specification		D	Dz/Lz	C	d1 (max)	L1 (max)	d2 (max)	L2 (max)	L (min)	Oil Volume (L)		Weight (kg)
YOXyIIz-360	YOXysIIz-360	422	300/150	10	55	110	55	110	564	3.8~7.6	4.9~9.8	85
YOXyIIz-400	YOXysIIz-400	465	315/150	10	60	140	65	140	616	4.8~9.5	6.2~12	110
YOXyIIz-450	YOXysIIz-450	522	315/150	10	75	140	70	140	650	6.1~12	8.0~16	139
YOXyIIz-500	YOXysIIz-500	572	400/190	10	80	170	90	170	744	10~20	13~26	192
YOXyIIz-560	YOXysIIz-560	642	400/190	10	100	170	110	170	826	16~26	21~34	225
YOXyIIz-600	YOXysIIz-600	695	500/210	15	100	170	130	180	880	18~36	24~47	320
YOXyIIz-650	YOXysIIz-650	750	500/210	15	120	210	130	250	923	25~46	33~60	375
YOXyIIz-750	YOXysIIz-750	850	630/265	20	140	250	150	250	1040	40~80	52~104	510
YOXyIIz-800	YOXysIIz-800	908	630/265	20	140	250	150	250	1150	50~95	65~125	620
YOXyIIz-1000	YOXysIIz-1000	1120	700/300	25	150	250	150	250	1260	78~156	100~200	860

YOXz Type



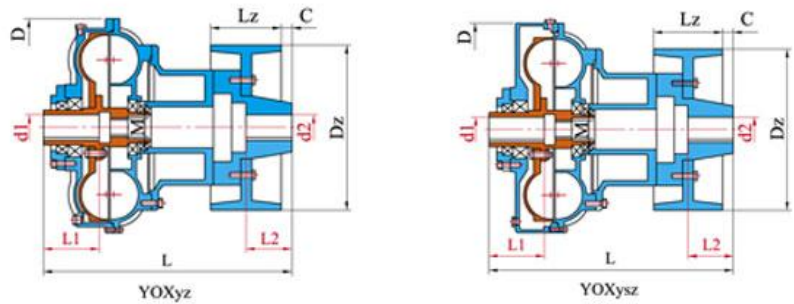
YOXz-type

YOXz-type fluid coupling is a connection type with brake wheel fixed at the output end of coupling connected with the shaft of reducer in which wheel drive is used, coupling and the shaft of electric engine is connected, elastic plum pad or nylon pin is fixed at output end. However, customers may connect in their own way. The axial distance of this type is a little shorter than that of YOXIIz-type.

Select table of YOXZ specification and size

Specification	D	Dz/Lz	C	d1 (max)	L1 (max)	d2 (max)	L2 (max)	L (min)	M (Demolition Thread)	Oil Volume (L)	Weight (kg)
YOXz-280	328	200/85	10	38	80	45	90	300	20	1.5~3.0	33
YOXz-320	380	200/85	10	42	110	50	110	329	30×1.5	2.4~4.8	45
YOXz-360	422	300/150	10	55	110	55	110	360	30×1.5	3.8~7.6	55
YOXz-400	465	315/150	10	60	140	65	140	410	36×2	4.8~9.5	77
YOXz-450	522	315/150	10	75	140	70	140	460	42×2	6.1~12	101
YOXz-500	572	400/190	10	80	170	90	170	550	42×2	10~20	150
YOXz-560	642	400/190	10	100	170	110	170	580	42×2	16~26	177
YOXz-600	695	500/210	15	100	170	130	180	610	48×2	18~36	237
YOXz-650	750	500/210	15	120	210	130	250	660	48×2	25~46	247
YOXz-750	850	630/265	20	140	250	150	250	770	56×2	40~80	440
YOXz-800	908	630/265	20	140	250	150	250	800	56×2	50~95	520
YOXz-1000	1120	700/300	25	150	250	150	250	970	60×3	78~156	770

YOXyz / YOXysz Type



YOXyz / YOXysz-type

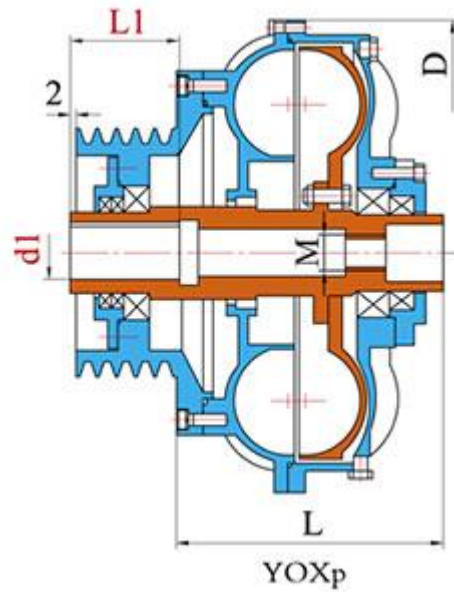
YOXyz-type fluid couple, basing on YOXz-type, lengthens the back auxiliary chamber to achieve longer starting time and smaller impact on equipment compared with YOXz-type.

YOXysz-type fluid couple, basing on YOXz-type, lengthens the back and side auxiliary chamber to achieve longer starting time and smaller impact on equipment compared with YOXyz-type.

Select table of YOXyz / YOXysz specification and size

Specification		D	Dz/Lz	C	d1 (max)	L1 (max)	d2 (max)	L2 (max)	L (min)	M (Demolition Thread)	Oil Volume (L)		Weight (kg)
YOXyz-280	YOXysz-280	328	200/85	10	38	80	45	90	340	20	1.5~3.0	2.0~4.0	32
YOXyz-320	YOXysz-320	380	200/85	10	42	110	50	110	369	30×1.5	2.4~4.8	3.0~6.0	45
YOXyz-360	YOXysz-360	422	300/150	10	55	110	55	110	410	30×1.5	3.8~7.6	4.9~9.8	61
YOXyz-400	YOXysz-400	465	315/150	10	60	140	65	140	470	36×2	4.8~9.6	6.2~12	85
YOXyz-450	YOXysz-450	522	315/150	10	75	140	70	140	530	42×2	6.1~12	8.0~16	110
YOXyz-500	YOXysz-500	572	400/190	10	80	170	90	170	630	42×2	10~20	13~26	165
YOXyz-560	YOXysz-560	642	400/190	10	100	170	110	170	670	42×2	16~26	21~34	198
YOXyz-600	YOXysz-600	695	500/210	15	100	170	130	180	700	48×2	18~36	24~47	270
YOXyz-650	YOXysz-650	750	500/210	15	120	210	130	250	754	48×2	25~46	33~60	318
YOXyz-750	YOXysz-750	850	630/265	20	140	250	150	250	870	56×2	40~80	52~104	490
YOXyz-800	YOXysz-800	908	630/265	20	140	250	150	250	910	56×2	50~95	65~125	578
YOXyz-1000	YOXysz-1000	1120	700/300	25	150	250	150	250	1090	60×3	78~156	100~200	850

YOXP Type



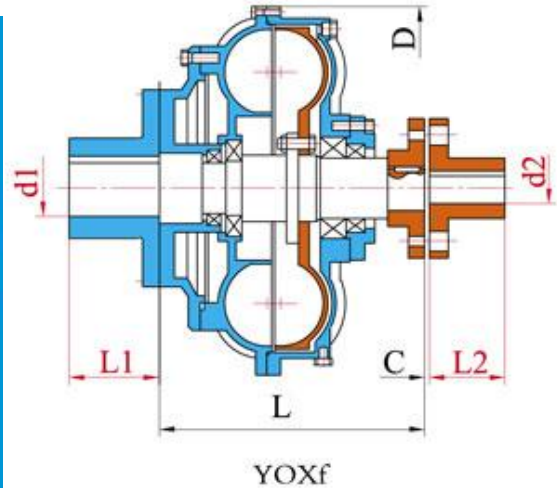
YOXP-type

YOXP-type means a connection type in which belt pulley with the fluid coupling outputs power. The shaft of electric motor shall be directly inserted into the shaft hole of coupling. This coupling is for belt driven equipment.

Select table of YOXP specification and size

specification	D	L	d1 (max)	L1	M (Demolition Thread)	Oil Volume (L)	Weight (kg)
YOXP-190	235	124	25	60	16	0.4~0.8	8
YOXP-200	240	138	25	70	16	0.5~1.0	9.5
YOXP-220	260	175	30	80	16	0.8~1.6	14
YOXP-250	292	152	35	80	16	1.3~2.5	15
YOXP-280	328	161	38	80	20	1.5~3.0	18
YOXP-320	380	168	42	110	30×1.5	2.4~4.8	30
YOXP-340	392	173	48	110	30×1.5	2.7~5.5	33
YOXP-360	422	190	55	120	30×1.5	3.8~7.6	40
YOXP-400	465	226	60	140	36×2	4.8~9.5	58
YOXP-420	480	230	65	140	36×2	4.9~9.8	56
YOXP-450	522	243	75	140	42×2	6.1~12	82
YOXP-500	572	252	80	170	42×2	10~20	113
YOXP-560	642	285	100	180	42×2	16~26	140
YOXP-600	695	323	100	180	48×2	18~36	180
YOXP-650	750	360	120	210	48×2	25~46	220

YOXf Type



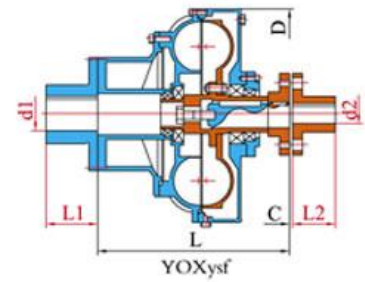
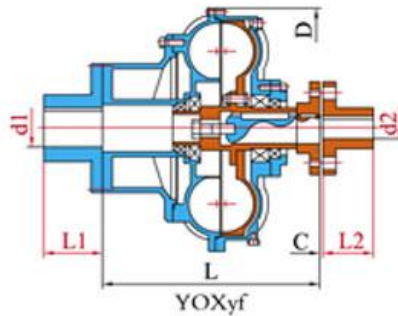
YOXf-type

YOXf-type means the two ends of coupling are connected with electric motor and reducer by connecting with flange, rigidly connecting with the shaft of the electric motor, the output end usually use coupling with elastic sleeve, ML plum pad flexible coupling or HL nylon pin coupling. This type is easy to install, adjust and dismantle but has a little longer axial distance.

Select table of YOXf specification and size

Specification	D	L (min)	d1 (max)	L1 (max)	d2 (max)	L2 (max)	Specification Of Couplings	C	Oil Volume (L)	Weight (kg)
YOXf-250	300	199	35	80	35	80	TL4 HL2	2~3	1.3~2.5	18
YOXf-280	328	221	38	80	40	80	TL4 HL2	2~3	1.5~3.0	22
YOXf-320	380	300	48	110	48	110	TL6 HL3	2~3	2.4~4.8	40
YOXf-340	392	310	48	110	48	110	TL6 HL3	2~3	2.7~5.5	43
YOXf-360	422	300	55	110	48	110	TL6 HL3	2~3	3.8~7.6	66
YOXf-400	465	350	60	140	60	140	TL7 HL4	3~4	4.8~9.5	91
YOXf-450	522	390	75	140	65	140	TL8 HL5	3~4	6.1~12	120
YOXf-500	572	410	80	170	85	170	TL9 HL6	3~6	10~20	155
YOXf-560	642	440	90	170	85	170	TL10 HL6	3~6	16~26	188
YOXf-600	695	470	100	210	110	210	TL10 HL7	3~6	18~36	253
YOXf-650	750	540	130	210	130	210	TL11 HL7	3~6	25~46	308
YOXf-710	815	557	120	210	125	210	TL11 HL8	4~8	37~60	390
YOXf-750	850	580	140	250	140	250	TL12 HL9	4~8	40~80	420
YOXf-800	908	650	150	250	160	300	TL12 HL10	4~8	50~95	530
YOXf-1000	1120	750	180	300	180	300	TL13 HL11	5~10	78~156	740

YOXyf / YOXysf Type



YOXyf / YOXysf-type

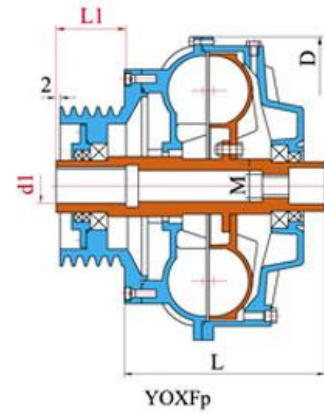
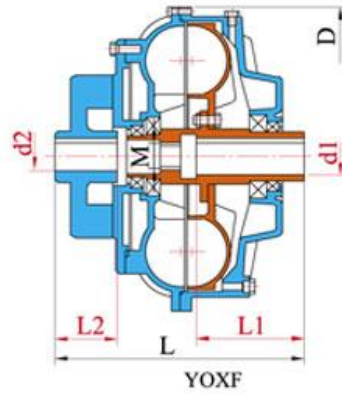
YOXyf-type fluid couple, basing on YOXf-type, lengthens the back auxiliary chamber to achieve longer starting time and smaller impact on equipment compared with YOXf-type.

YOXysf-type fluid couple, basing on YOXf-type, lengthens the back and side auxiliary chamber to achieve longer starting time and smaller impact on equipment compared with YOXyf-type.

Select table of YOXyf/YOXysf specification and size

specification	D	L (min)	d1 (max)	L1 (max)	d2 (max)	L2 (max)	Specification Of Couplings	C	Oil Volume (L)		Weight (kg)
YOXyf-250 YOXysf-250	300	230	35	80	35	80	TL4 HL2	2~3	1.3~2.5	1.6~3.2	21
YOXyf-280 YOXysf-280	328	260	38	80	40	80	TL4 HL2	2~3	1.5~3.0	2.0~4.0	26
YOXyf-320 YOXysf-320	380	340	48	110	48	110	TL6 HL3	2~3	2.4~4.8	3.0~6.0	44
YOXyf-340 YOXysf-340	392	350	48	110	48	110	TL6 HL3	2~3	2.7~5.5	3.5~7.0	48
YOXyf-360 YOXysf-360	422	350	55	110	48	110	TL6 HL3	2~3	3.8~7.6	4.9~9.8	71
YOXyf-400 YOXysf-400	465	410	60	140	60	140	TL7 HL4	3~4	4.8~9.5	6.2~12	100
YOXyf-450 YOXysf-450	522	460	75	140	65	140	TL8 HL5	3~4	6.1~12	8.0~16	130
YOXyf-500 YOXysf-500	572	490	80	170	85	170	TL9 HL6	3~6	10~20	13~26	170
YOXyf-560 YOXysf-560	642	530	90	170	85	170	TL10 HL6	3~6	16~26	21~34	208
YOXyf-600 YOXysf-600	695	560	100	210	110	210	TL10 HL7	3~6	18~36	24~47	275
YOXyf-650 YOXysf-650	750	634	130	210	130	210	TL11 HL7	3~6	25~46	33~60	338
YOXyf-710 YOXysf-710	815	652	120	210	125	210	TL11 HL8	4~8	37~60	48~78	425
YOXyf-750 YOXysf-750	850	680	140	250	140	250	TL12 HL9	4~8	40~80	52~104	465
YOXyf-800 YOXysf-800	908	760	150	250	160	300	TL12 HL10	4~8	50~95	65~125	590
YOXyf-1000 YOXysf-1000	1120	870	180	300	180	300	TL13 HL11	5~10	78~156	100~200	820

YOXF Type



YOXF-type

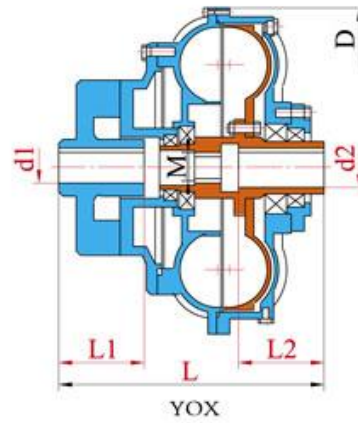
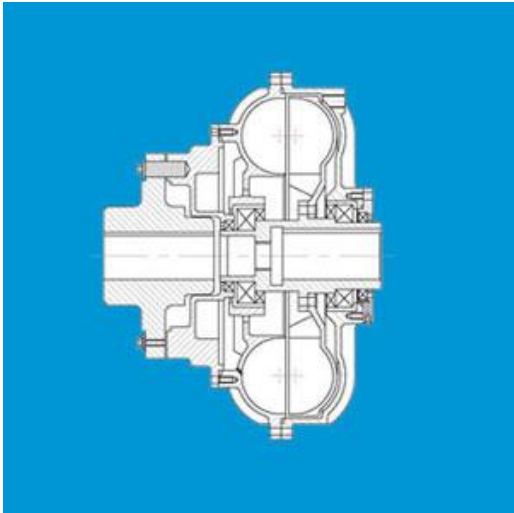
YOXF-type composite vent fluid coupling expands the inner chamber of the rotating shell to achieve longer starting time and smaller impact on equipment. This type generally applies to the connection type in which wheel drive is used and the shaft of electric motor bears the weight of coupling. The applicable types are: YOXF, YOXFp, YOXFZ.

Select table of YOXF / YOXFp specification and size

Specification	D	L	d1	L1	d2	L2	M (Demolition Thread)	Oil Volume (L)	Weight (kg)
YOXF-360	410	320	55	110	55	110	30×1.5	3.5~7.0	34
YOXF-400	465	385	60	140	60	140	36×2	4.3~8.6	47
YOXF-450	522	410	75	140	75	140	42×2	5.8~11.7	66
YOXF-500	572	465	90	170	80	170	42×2	9.5~19	91
YOXF-560	642	530	100	210	110	210	42×2	13~25	112

Specification	D	L	d1	L1	M (Demolition Thread)	Oil Volume (L)	Weight (kg)
YOXFp-360	410	222	55	110	30×1.5	3.5~7.0	34
YOXFp-400	465	246	60	140	36×2	4.3~8.6	47
YOXFp-450	522	273	75	140	42×2	5.8~11.7	66
YOXFp-500	572	299	90	170	42×2	9.5~19	91
YOXFp-560	642	326	100	210	42×2	13~25	112

YOX Type Nylon Pin Connection



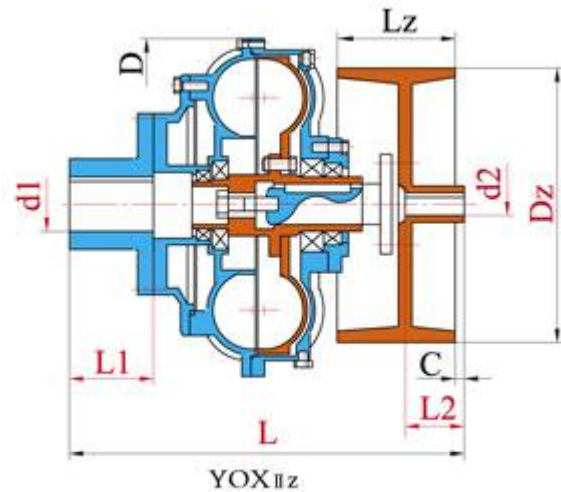
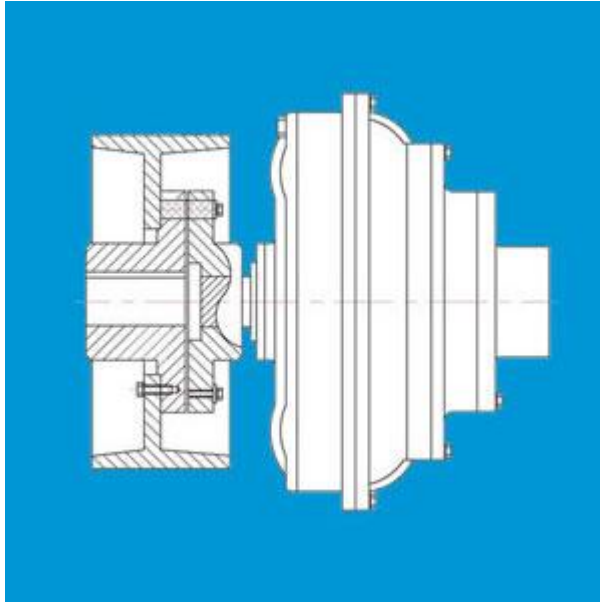
YOX-type nylon pin connection

They all belong to the YOX-type fluid coupling with the same connection type with electric motor and reducer. The major difference is that nylon pin connection replaces plum pad connection. Nylon pin connection coupling is easy for concentricity adjustment, does not require electric motor or reducer removal for changing pins, resulting in much convenience in maintenance work.

Select table of YOX specification and size

Specification	D	L (min)	d1 (max)	L1 (max)	d2 (max)	L2 (max)	M (Demolition Thread)	Plum Cushion	Oil Volume (L)	Weight (kg)
YOX-190	235	180	30	60	25	60	16	MT4	0.4~0.8	8
YOX-200	240	180	30	60	30	70	16	MT4	0.5~1.0	9.5
YOX-220	260	200	35	60	30	60	16	MT4	0.8~1.6	14
YOX-250	292	240	36	45	40	80	16	MT5	1.3~2.5	15
YOX-280	328	240	40	80	45	100	20	MT7	1.5~30	18
YOX-320	380	276	48	110	50	110	30×1.5	MT7	2.4~4.8	30
YOX-340	392	282	48	110	50	110	30×1.5	MT8	2.7~5.5	33
YOX-360	422	287	55	110	55	110	30×1.5	MT8	3.8~7.6	40
YOX-400	465	352	60	140	60	130	36×2	MT10	4.8~9.5	58
YOX-420	480	345	65	140	65	140	36×2	MT10	4.9~9.8	56
YOX-450	522	384	75	140	75	140	42×2	MT10	6.1~12	82
YOX-500	572	426	80	170	90	170	42×2	MT11	10~20	113
YOX-560	642	487	100	210	100	210	42×2	MT11	16~26	140
YOX-600	695	540	100	210	100	180	48×2	MT12	18~36	180
YOX-650	750	556	130	210	120	210	48×2	MT12	25~46	220
YOX-710	815	580	130	210	110	210	48×2	MT12	37~60	310
YOX-750	850	603	140	250	140	250	56×2	MT12	40~80	350
YOX-800	908	705	140	250	130	250	56×2	MT12	50~95	420
YOX-1000	1120	735	150	250	150	250	60×3		78~156	650

YOXIIz Type Nylon Pin Connection



YOXIIz-type nylon pin connection

They all belong to the YOXIIz-type fluid coupling with the same connection type with electric motor and reducer. The major difference is that nylon pin connection replaces plum pad connection. Nylon pin connection coupling is easy for concentricity adjustment, does not require electric motor or reducer removal for changing pins, resulting in much convenience in maintenance work.

Select table of YOX IIZ specification and size

Specification	D	Dz/Lz	C	d1 (max)	L1 (max)	d2 (max)	L2 (max)	L (min)	Oil Volume (L)	Weight (kg)
YOX IIz-360	422	300/150	10	55	110	55	110	514	3.8~7.6	85
YOX IIz-400	465	315/150	10	60	140	65	140	556	4.8~9.5	110
YOX IIz-450	522	315/150	10	75	140	70	140	580	6.1~12	139
YOX IIz-500	572	400/190	10	80	170	90	170	664	10~20	192
YOX IIz-560	642	400/190	10	100	170	110	170	736	16~26	225
YOX IIz-600	695	500/210	15	100	170	130	180	790	18~36	320
YOX IIz-650	750	500/210	15	120	210	130	250	829	25~46	375
YOX IIz-750	850	630/265	20	140	250	150	250	940	40~80	510
YOX IIz-800	908	630/265	20	140	250	150	250	1040	50~95	620
YOX IIz-1000	1120	700/300	25	150	250	150	250	1140	78~156	860

Engineering Case

